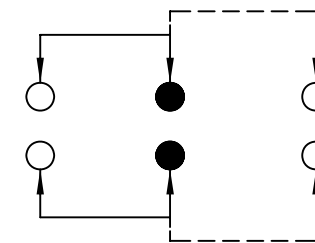
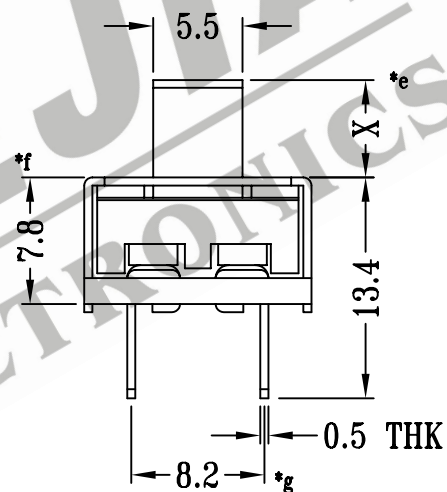
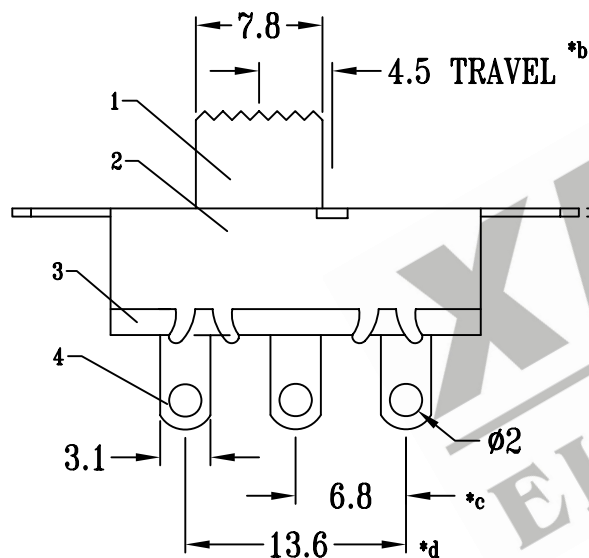
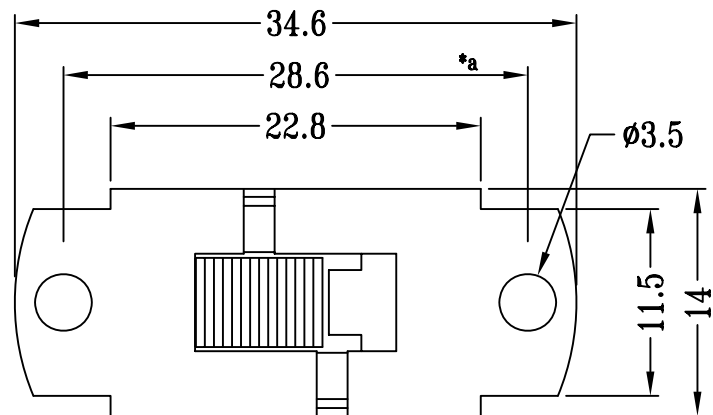
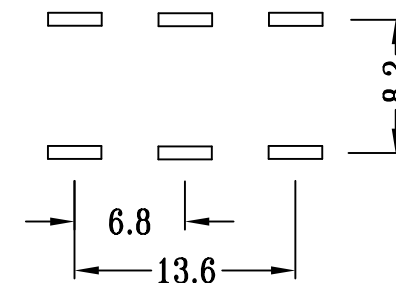




CAD FILE:



SCHEMATIC (NON-SHORTING)



P.C.B LAYOUT

注:带"\*"表示关键尺寸(7个)

NO.	PART NAME	MATERIAL	QTY	FINISHING	TOLERANCE UNLESS SPECIFIED	SHENZHEN XIEJIA ELECTRONICS CO.,LTD.					
8						ISSUE		DATE		DESCRIPTIONS	APPD
7	SPRING PLATE	PBS STRIP	1	NATURAL	WITHIN: 1.5±0.1mm OVER : 1.5±0.2mm	TITLE: VERTICAL SLIDE SWITCH		UNIT : MM	DRWG NO.: XJ-DR-SS22I24-00		
6	SPRING PLATE	PBS STRIP	2	NATURAL		MODEL: SS-22I24		SCALE: 2:1	DWN	ZHOUYU	2005-7-11
5	CONTACT CLIP	COPPER STRIP	2	Ag PLATED	ALL MATERIALS MUST BE COMPLIANT TO ROHS		APPD		CHK'D	FANGYING	2005-7-11
4	TERMINAL	COPPER STRIP	6	Ag PLATED OVER Ni PLATED					APPD	KANGXINAN	2005-7-11
3	TERMINAL BASE	PHENOLIC RESIN	1	BLACK							
2	FRAME	STEEL STRIP	1	Zn PLATED							
1	NOB	PC	1	BLACK							